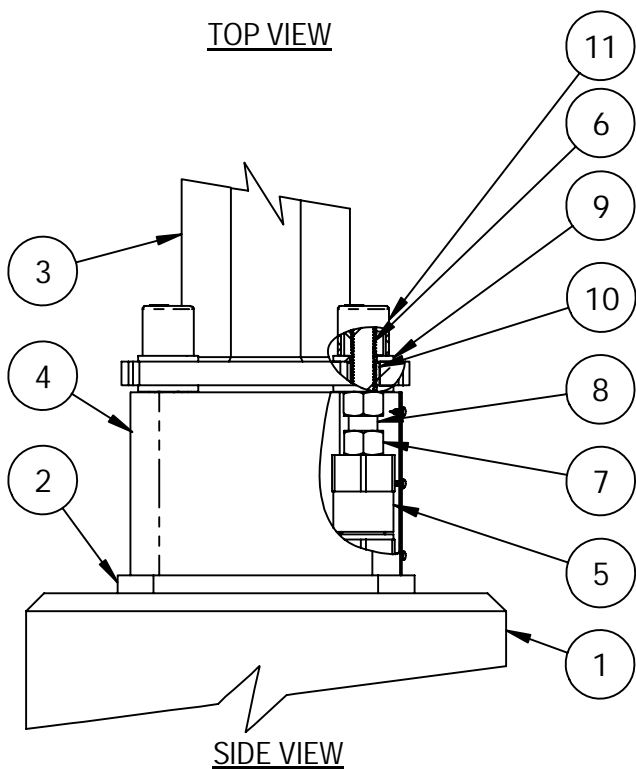
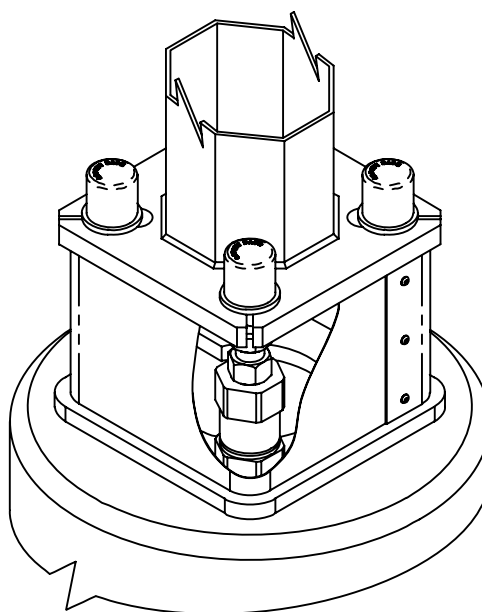


TOP VIEW



SIDE VIEW

ITEM NO.	QTY.	DESCRIPTION
1	1	TYPE A FOUNDATION (BY OTHERS)
2	1	REACTION PLATE
3	1	SIGNAL POLE (BY OTHERS)
4	1	SHROUD ASSEMBLY
5	4	FRANGIBLE COUPLING
6	4	1" - 8 UNC STUD
7	12	1" - 8 UNC HEAVY HEX NUT
8	4	SPACER
9	8	1" FLATWASHER
10	4	SLEEVE
11	4	FASTENER COVER



ISOMETRIC VIEW

1 BASE C/W 1"  $\phi$  - 8 UNC ANCHORS  
ON  $\phi$ 292 BCD

DIMENSIONS ARE IN MILLIMETRES  
(UNLESS OTHERWISE NOTED)



**THE CITY OF WINNIPEG**  
PUBLIC WORKS DEPARTMENT

REFERENCE SPEC. NO:

N/A

No.	Date	Description	By

TYPE A BREAKAWAY BASE ASSEMBLY

Designed By: SBTE	Drawn By: SBTE	Scale : 1:8
Checked By:	Date: AUG 1/12	Drawing No. A
Approved:		